

# Singer 114-35

Form 19557  
(1040) **HISTORICAL COPY**  
Printed in U. S. A. **DO NOT REMOVE**

**SINGER\*\***

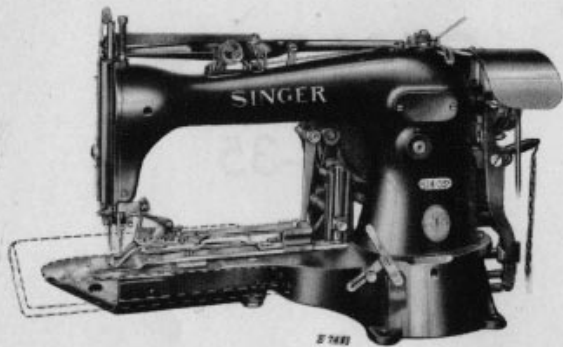
114-35



---

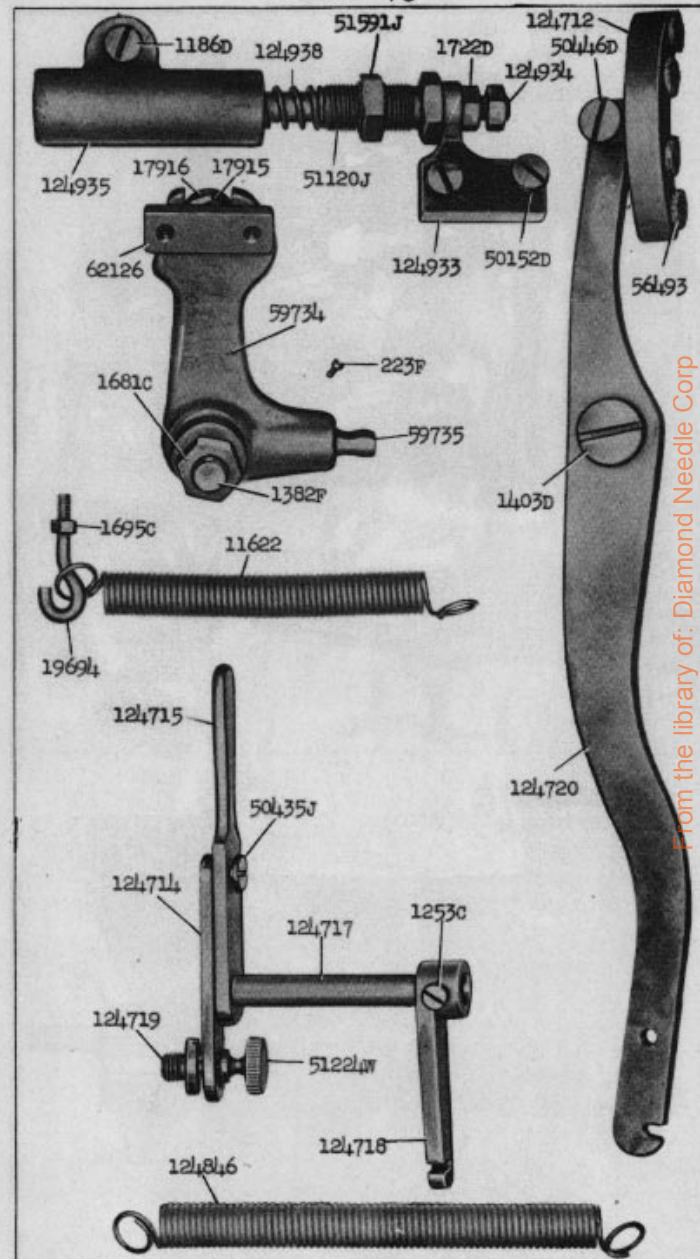
**\*\* A TRADE MARK OF  
THE SINGER MANUFACTURING COMPANY**

From the library of: Diamond Needle Corp

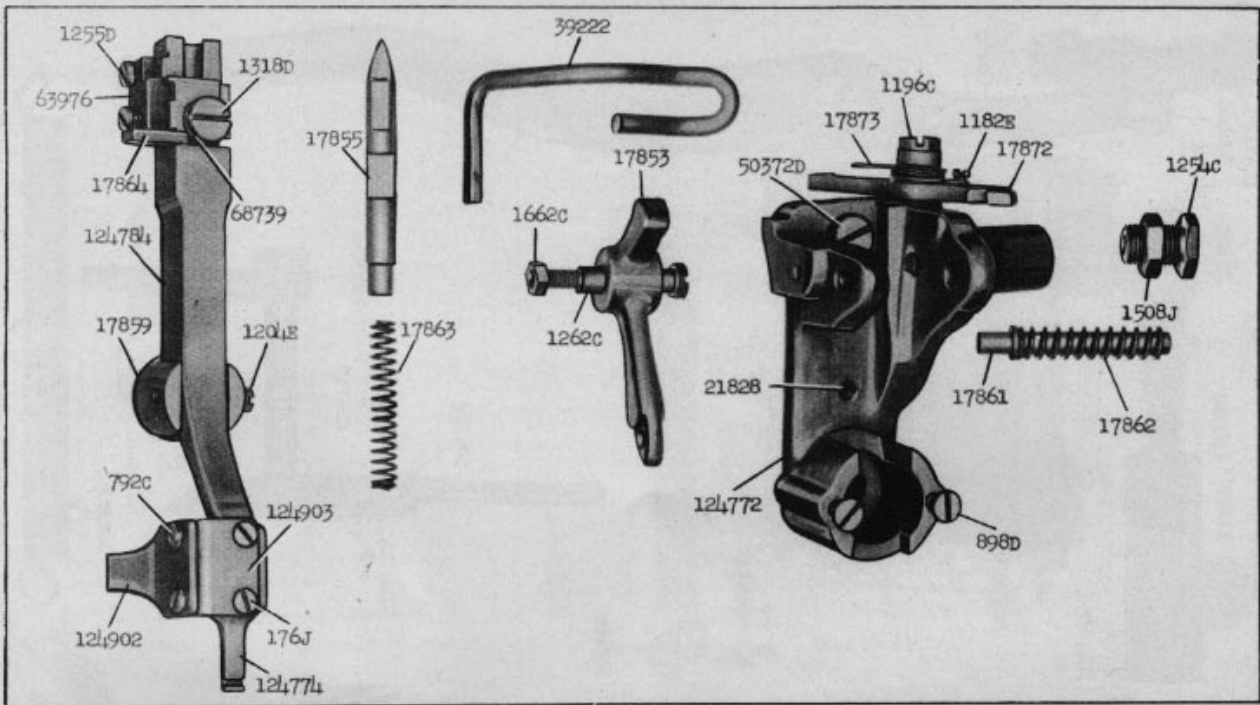


Copyright, U. S. A., 1928 and 1940  
 by The Singer Manufacturing Co.  
 All Rights Reserved for all Countries

9596 - 2/3

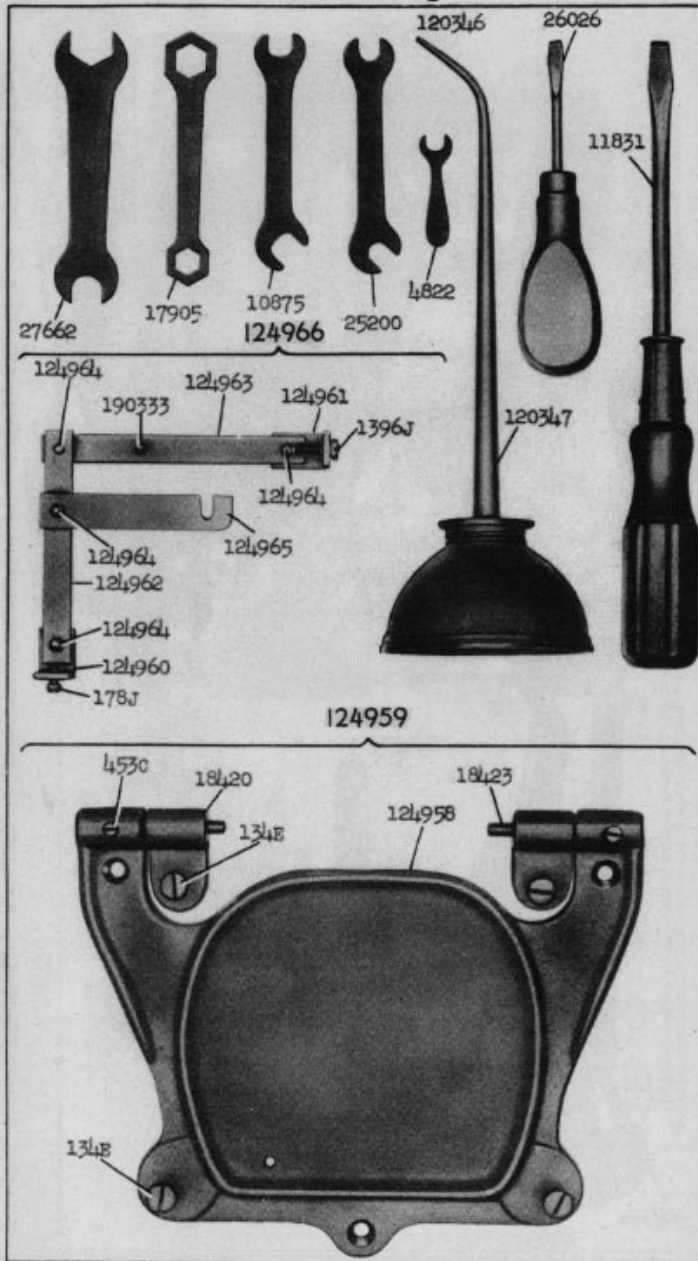


From the library of: Diamond Needle Corp

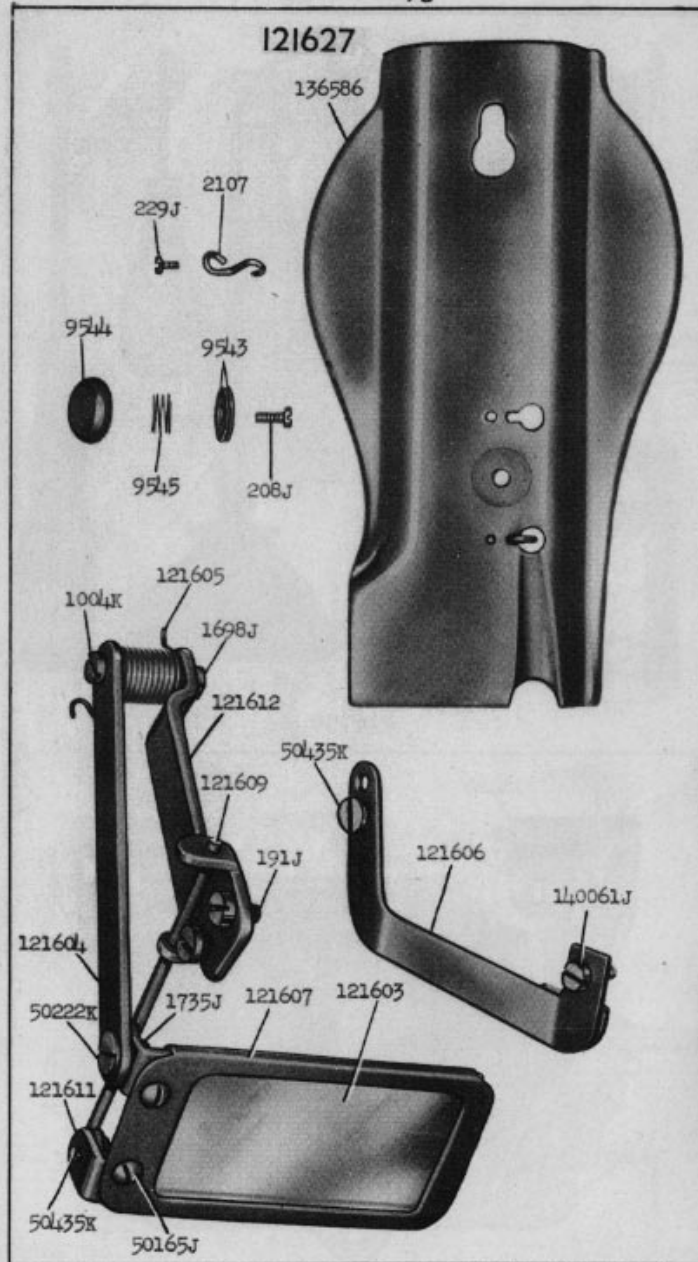


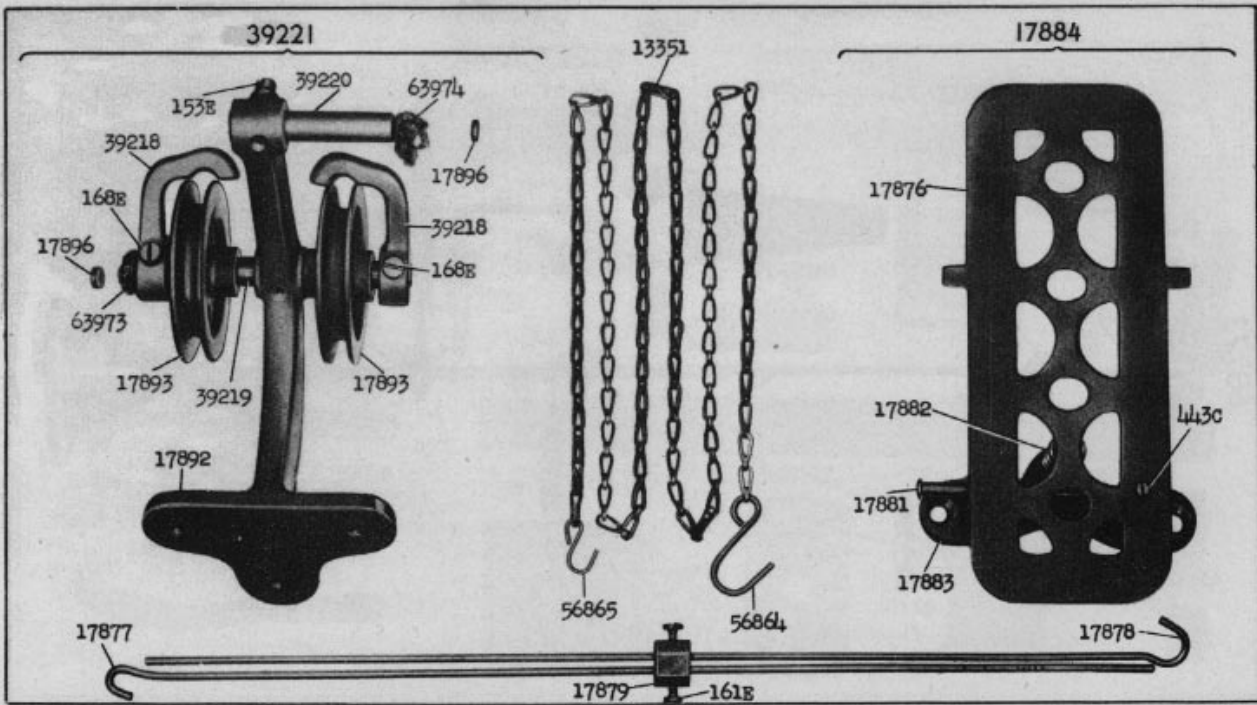
23153 - 2/3

23157 - 1/3



23158 - 2/3

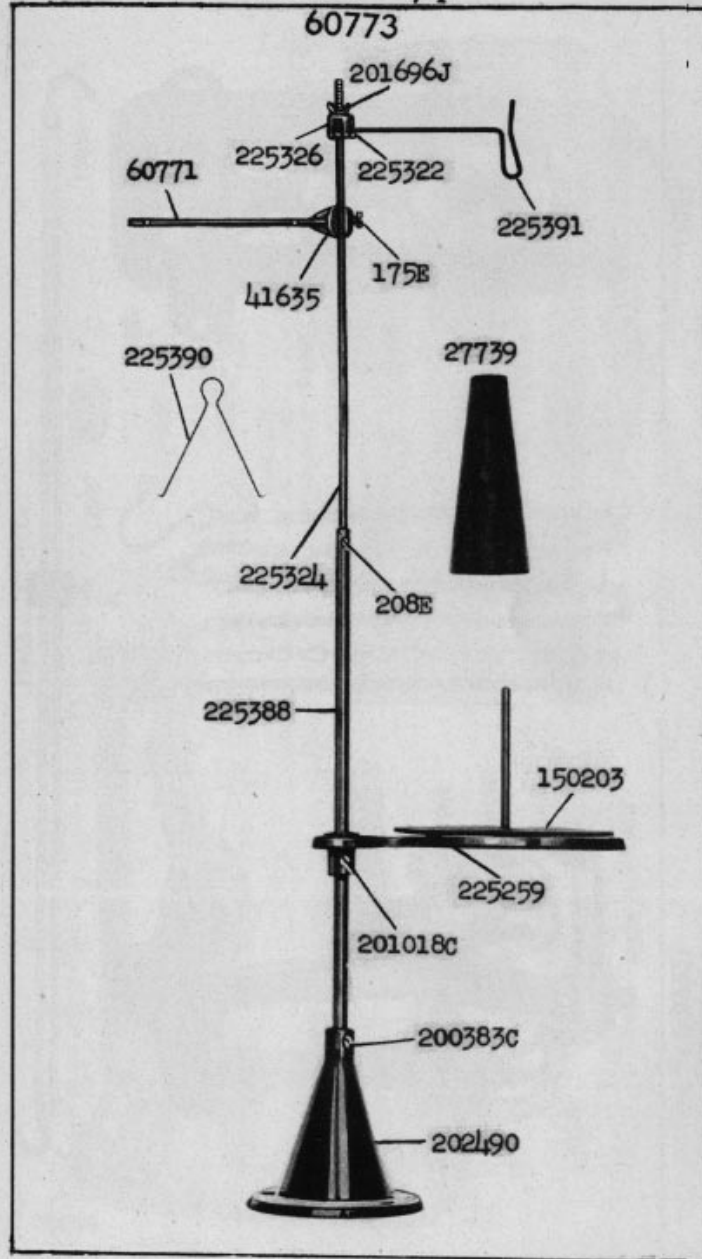




23159 - 1/3

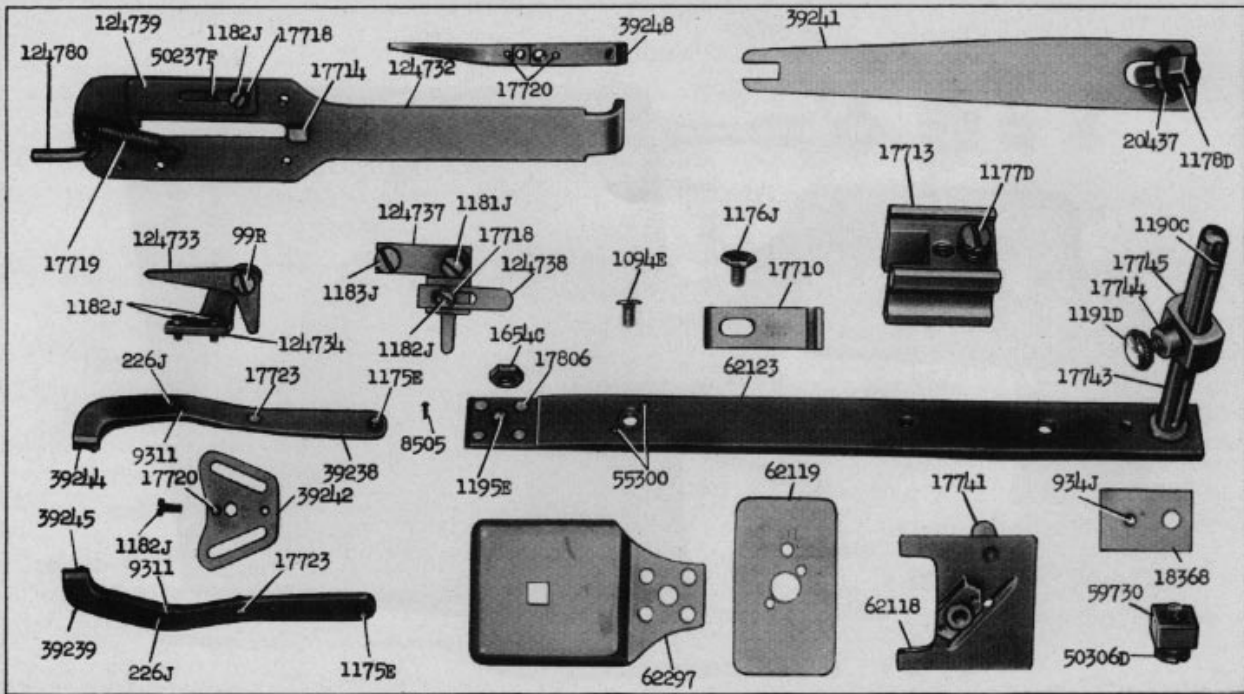
23160 - 1/4

60773



From the library of: Diamond Needle Corp





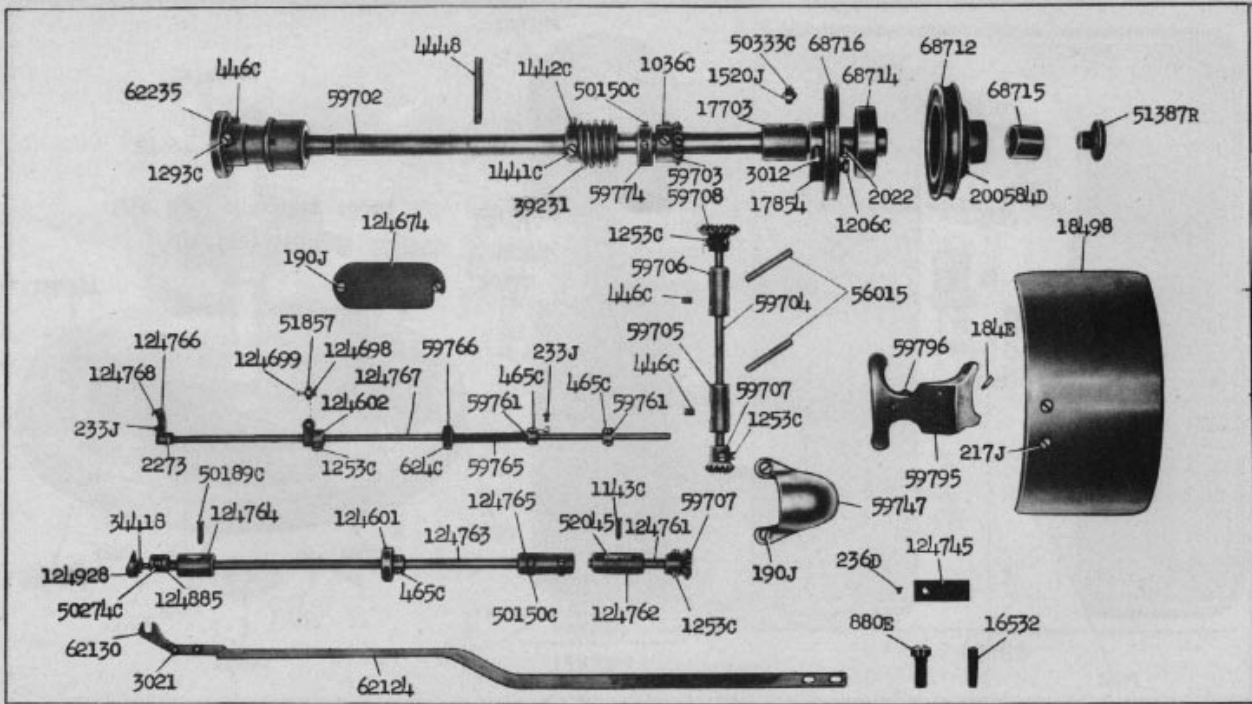
23168 - 1/2

23174 - 1/2

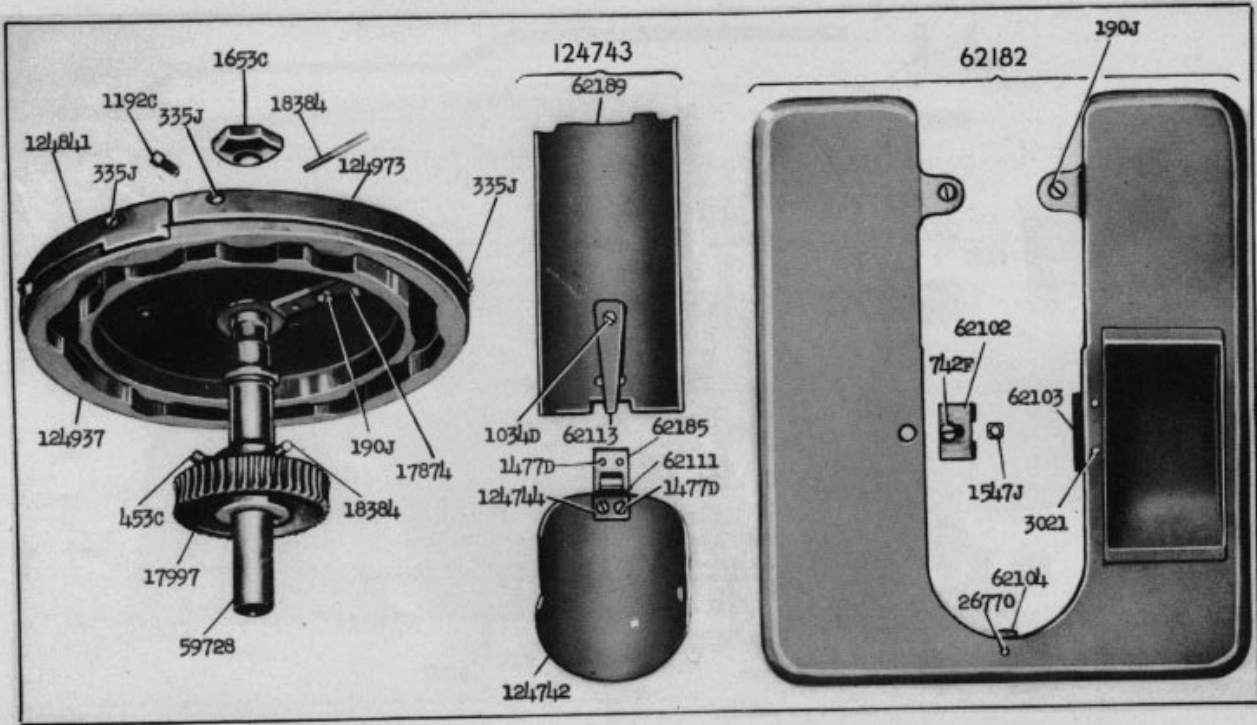
59797



From the library of: Diamond Needle Corp

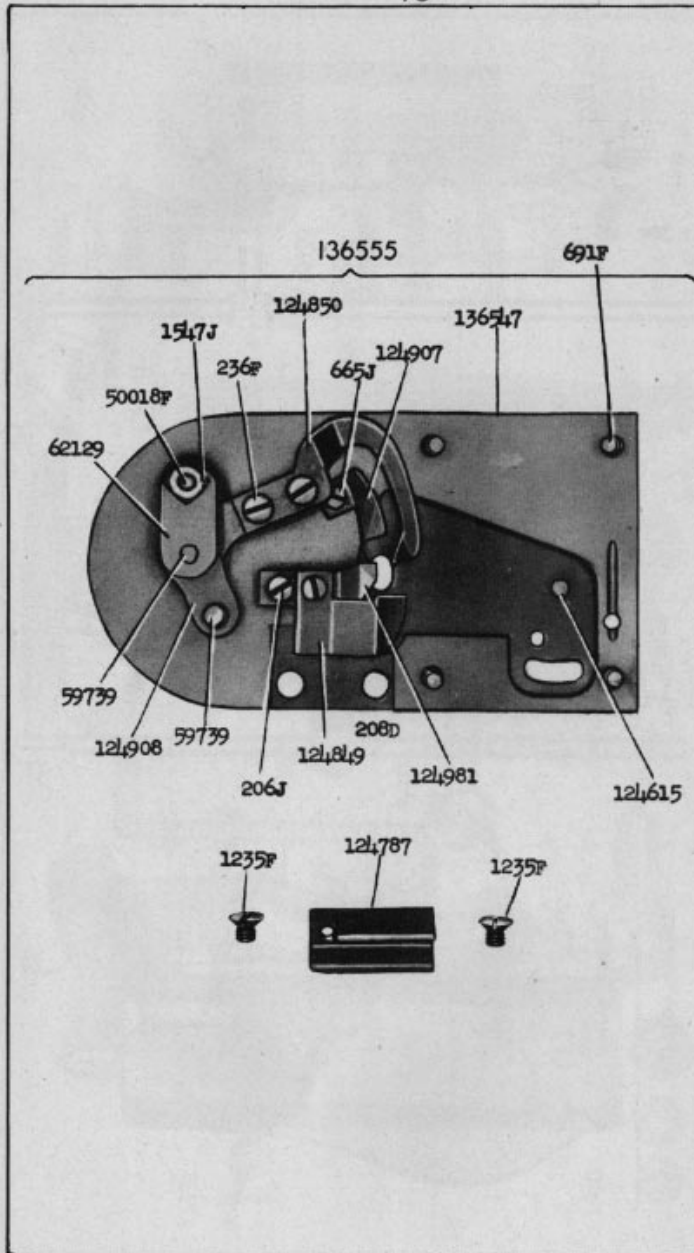


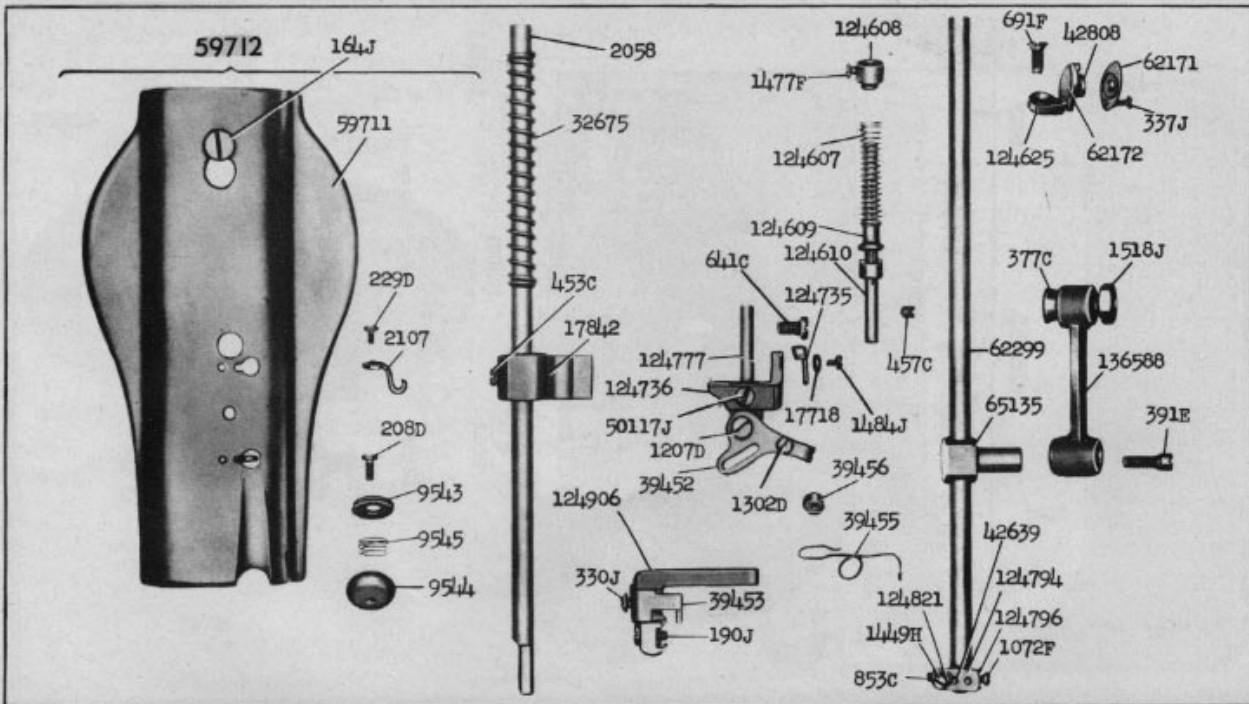
23181 - 1/4



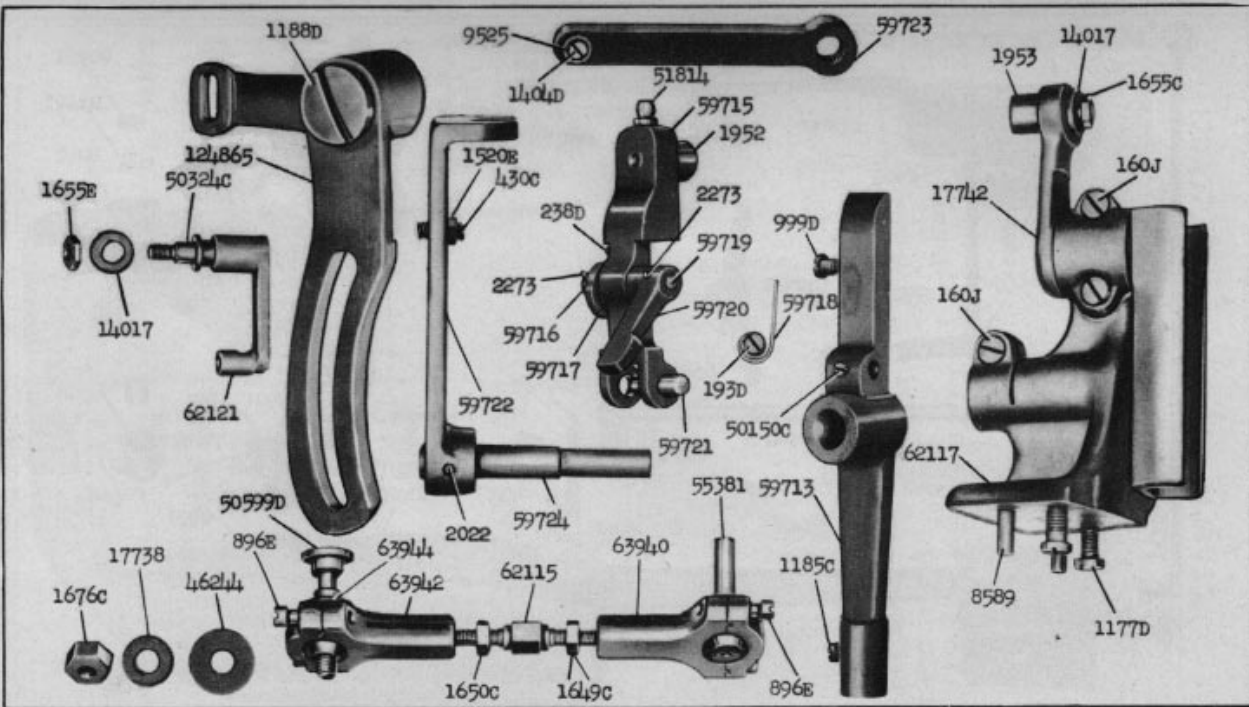
23185 - 1/3

23187 - 2/3

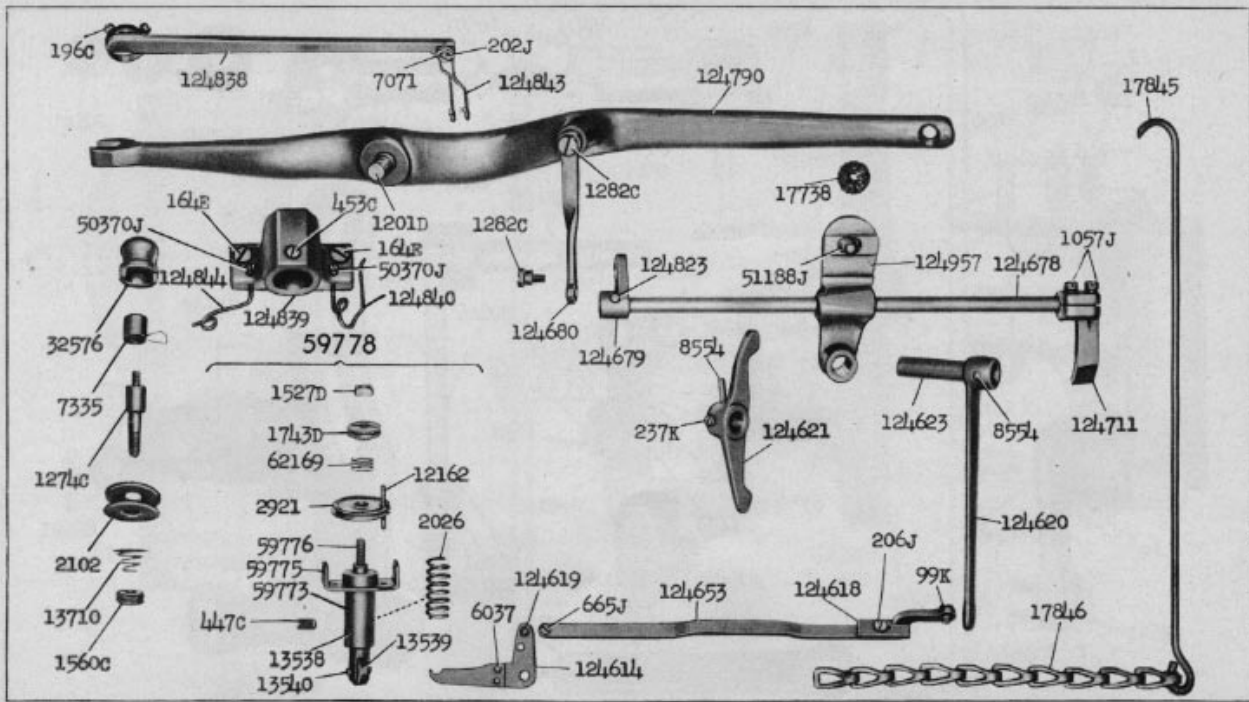




23188 - 1/2



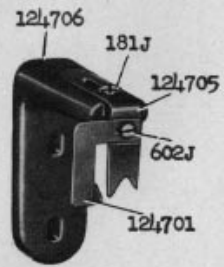
23189 - 1/2



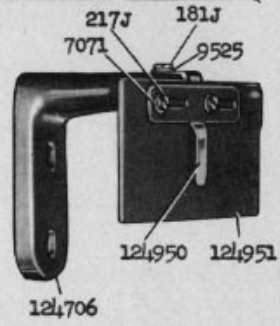
23190 - 1/3

23191 - 1/3

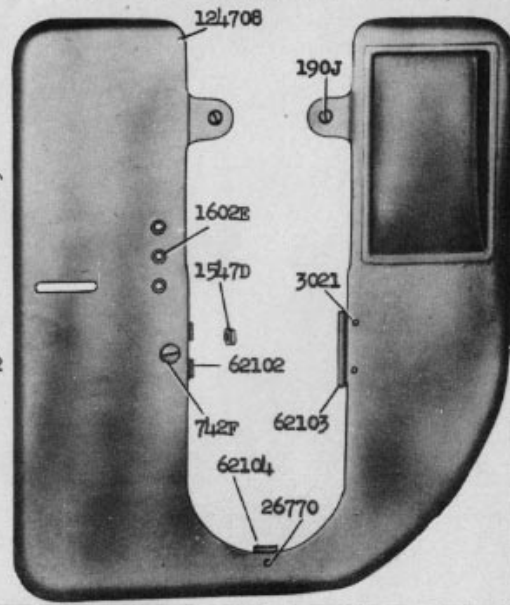
124707



124952



124710



124704

